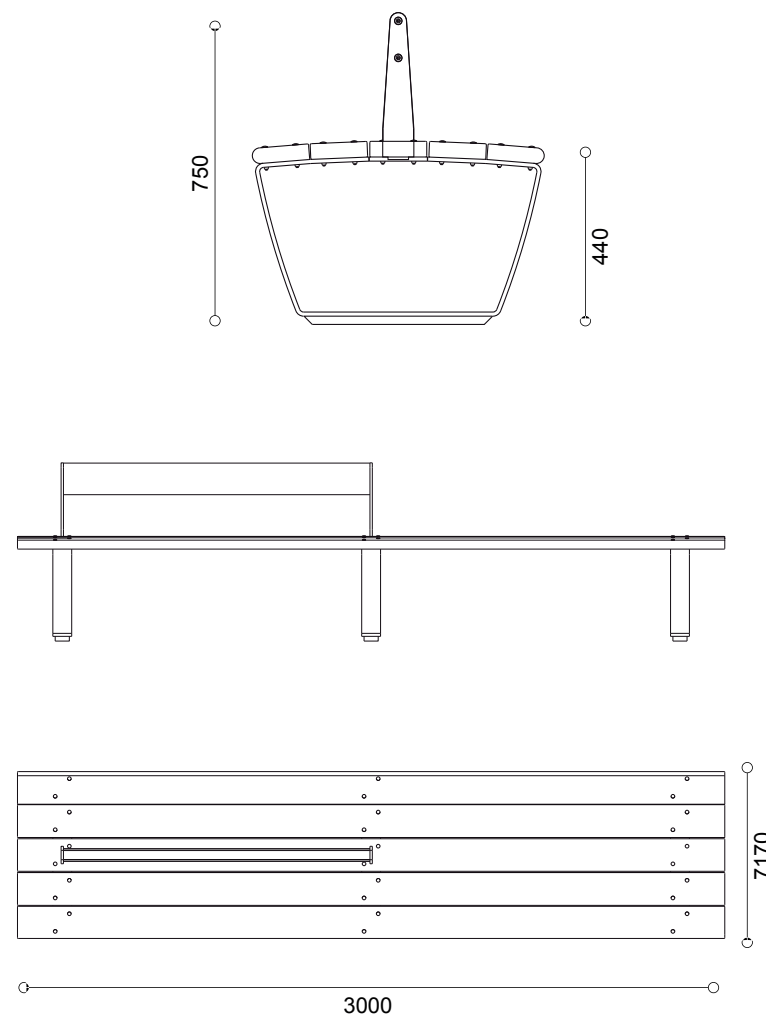




VERSATILE IMAGINATIONS  
Since 2004



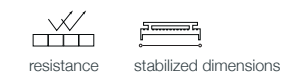
DIMENSIONS:



# NUVOLO DOUBLE BENCH

**MATERIAL**

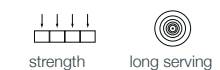
Impregnated wood coated with water-based paint certified by the ( EN 71- 3 Safety for Toys ).



translucent wood finish



autoclave treated wood



Hot-dip galvanized & powder-coated metal



**PACKING SIZE**  
3001 x 7171 x 441 mm

**COLOURS | TEXTURES**

